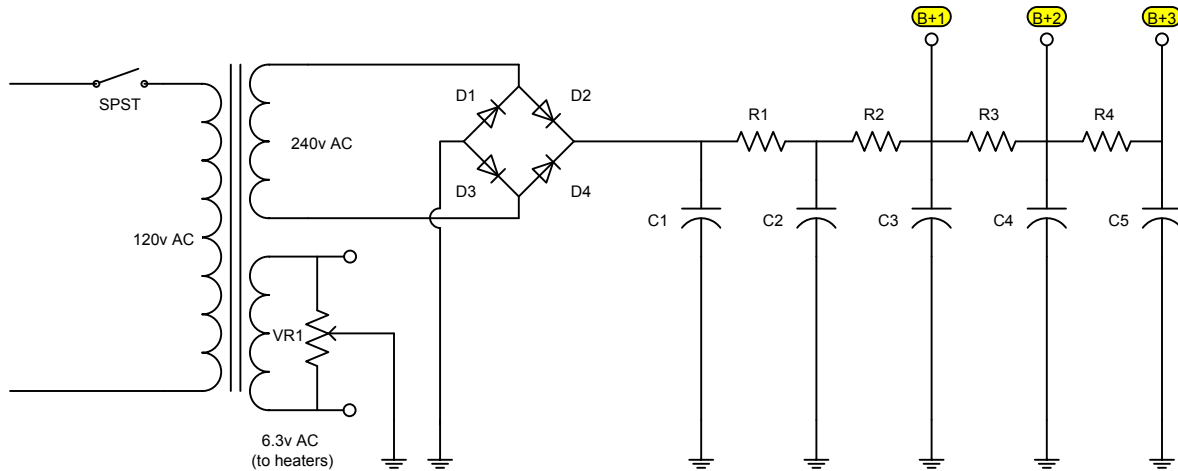


CIGAR BOX AMP

POWER SUPPLY



Capacitors

C1	22uf	450 V
C2	22uf	450 V
C3	22uf	450 V
C4	22uf	450 V
C5	22uf	450 V

Diodes

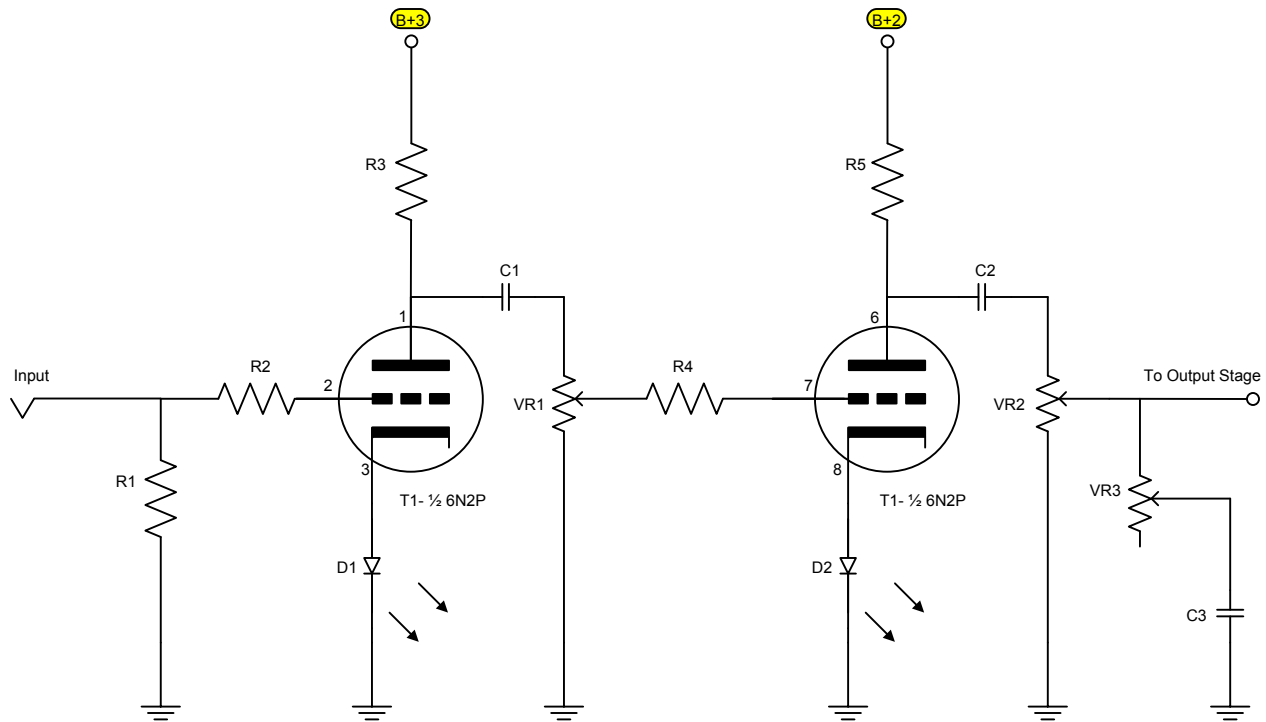
D1	UA4007	1 Amp
D2	UA4007	1 Amp
D3	UA4007	1 Amp
D4	UA4007	1 Amp

Resistors

R1	100R	3 Watt
R2	1K	3 Watt
R3	1K	3 Watt
R4	1K	3 Watt
VR1	500R	

CIGAR BOX AMP

PRE-AMP



Capacitors

C1	680pf	1000 V
C2	470pf	1000 V
C3	22nf	500 V

Diodes

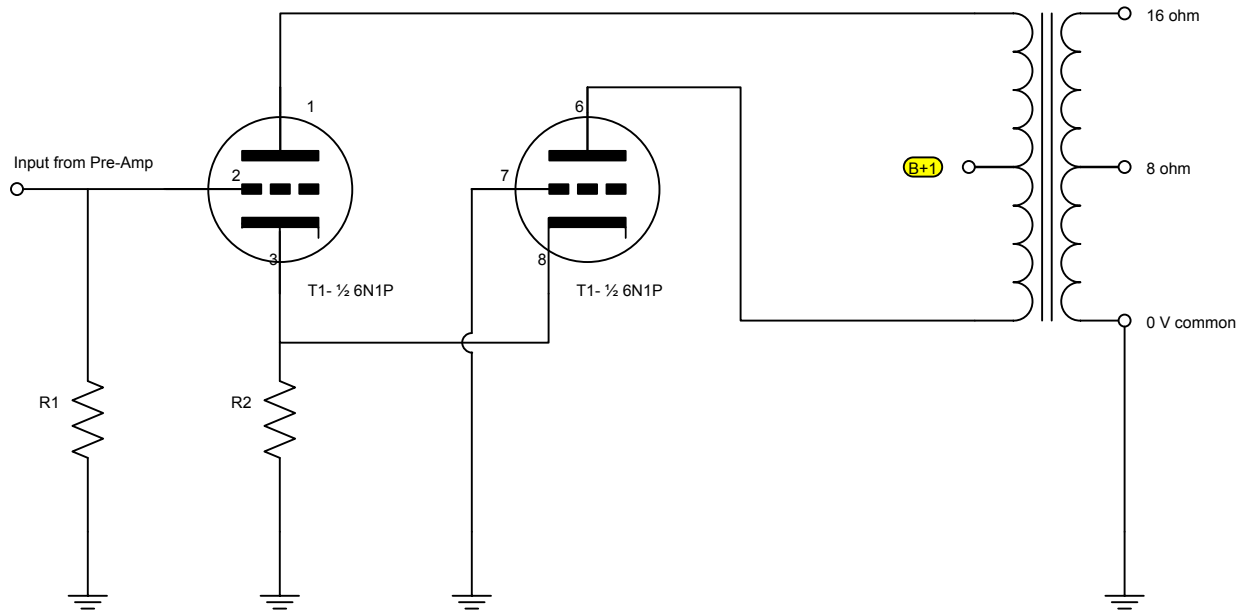
D1	Red LED	T-1 3/4
D2	Red LED	T-1 3/4

Resistors

R1	1M	1/2 Watt
R2	68K	1/2 Watt
R3	220K	1/2 Watt
R4	68K	1/2 Watt
R5	100K	1/2 Watt
VR1	1M	log
VR2	1M	log
VR3	250K	lin

CIGAR BOX AMP

OUTPUT STAGE



Resistors

R1	330K	1/2 watt
R2	440R	1/2 watt

CIGAR BOX AMP

COMPONENTS LIST

Qty	Item		Value
5	Capacitor (Electrolytic)	22uf	450 V
1	Capacitor	680pf	1000 V
1	Capacitor	470pf	1000 V
1	Capacitor	22nf	500 V
1	Resistor	100K	1/2 Watt
1	Resistor	100R	3 Watt
3	Resistor	1K	3 Watt
1	Resistor	1M	1/2 Watt
1	Resistor	220K	1/2 Watt
1	Resistor	330K	1/2 watt
1	Resistor	440R	1/2 watt
2	Resistor	68K	1/2 Watt
2	Potentiometer	1M	log
1	Potentiometer	250K	lin
1	Potentiometer (Trim Pot)	500R	
4	Diode	UA4007	1 Amp
2	LED	Red LED	T-1 3/4